

# Fabric Deductions

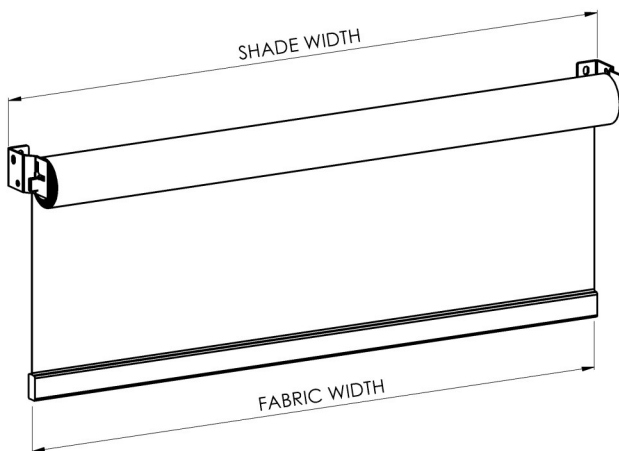
## Spring Roller Shade

---

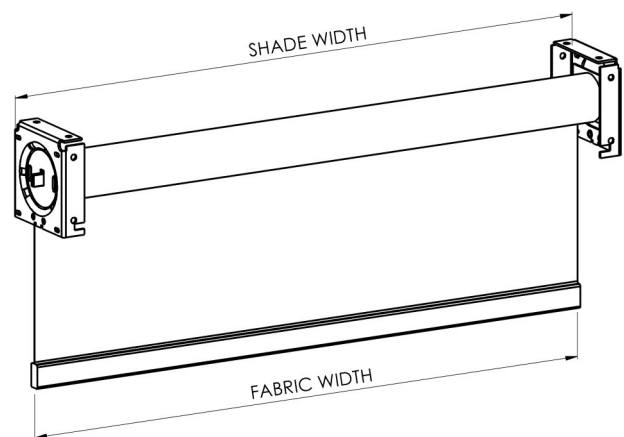
It is extremely important to remember when measuring for roller shades that actual fabric width of the shade will be less than the window measurement provided. To allow for the space that shade brackets, spring motor and idler end take up, the factory must make deduction so that the finished measurement, or bracket to bracket measurement of the shade fits into the width dimension provided by the customer.

Please advise your customers to measure on the top of the window opening.

Spring Roller with  
Standard Brackets



Spring Roller with  
Fascia Brackets



Fabric width is the same size as tube.

**Spring Roller Shade with Standard Brackets:**  
The fabric width measurement will be **1 1/8"** less than the ordered width regardless of IB or OB.

**Spring Roller Shade with Fascia Brackets:**  
The fabric width measurement will be **1 3/8"** less than the ordered width.