

Mariak

Manufacturer of Window Coverings



575 West Manville Street
Rancho Dominguez, CA 90220
800.562.7425
MARIAK.COM

January 2020

Mariak

Founded in 1986, Mariak is one of the leading manufacturers of contract window covering products in the United States.

Mariak products have a wide variety of commercial applications including in; healthcare, hospitality, educational, military and multi-unit residential buildings. We pride ourselves on quality craftsmanship, quick delivery times and competitive prices. Our strategic offering allows Mariak to provide many window solutions from one source.

Customers Include:

- Google
- Ross Dress for Less
- The Irvine Company
- Global Blood Therapeutics
- Amazon
- Microsoft
- WeWork
- Mosaic
- See's Candies
- Kaiser Permanente
- Apple
- UCSC Genomics
- Alaska Airlines
- Stanford University
- Cadence Apartments
- Samsung
- Shangri-LA
- Cal Poly Pomona
- California Institute of Technology
- Hilton Hotel Worldwide
- Brigham Young University
- Loyola Marymount University
- UC Santa Barbara

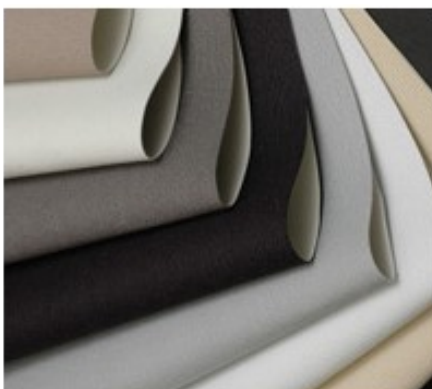


Mariak

ROLLER SHADES

Through years of manufacturing experience, Mariak has developed shading solutions for every contract application. Whether your project requires the simplicity of a chain operated clutch control or the sophistication of motorized network integration, Mariak Roller Shades offer a solution that will protect interior furnishings from UV damage, reduce heating and cooling expenses and manage glare, all while preserving the outside view. Mariak uses the highest quality fabrics and specially engineered parts in combination with the most recent manufacturing technology to produce the finest roller shades available today. As an industry leader, we are at the forefront of providing environmentally friendly fabrics including:

- Non-PVC
- Lead-Free
- Mercury-Free
- Halogen-Free
- GreenGuard (Children and Schools)
- OekoTex Standard 100
- Recyclable Fabrics
- Recycled Content Fabrics



Solar Fabric Roller Shades Conserve Energy:

Numerous studies measuring energy transmission and efficiency conducted throughout the United States and Europe clearly demonstrate, in both simulated scenarios and everyday use, that solar screen fabrics effectively reduce the temperature of a room without the use of air conditioning. The technical characteristics of solar screen fabrics facilitate cost-effective temperature control, optimal use of natural light and year-round comfort in the workplace. All of this is achieved while enhancing aesthetics and reducing energy usage. Further energy conservation may be realized by using electronic control systems that regulate the position of the shades according to the time of day and weather conditions.



Mariak

DIGITAL PRINTING & DYE SUBLIMATION

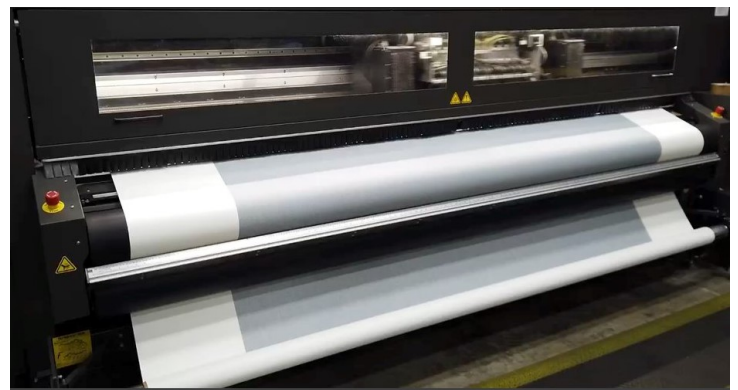
Digital Printing:

Mariak is an industry pioneer with almost 10 years of experience with digital printing, with the unique benefit of providing 100% US based printing and fabrication. We offer flexible production capabilities, complete customization without extended lead-times, low minimum order quantities and precise color matching capabilities.

High resolution imagery, up to 1200 DPI is instantly cured using LED lights in fabric widths up to 118". Custom printing adds as little as 2-3 business days to a stock fabric production lead-time (based on volume).

Dye Sublimation:

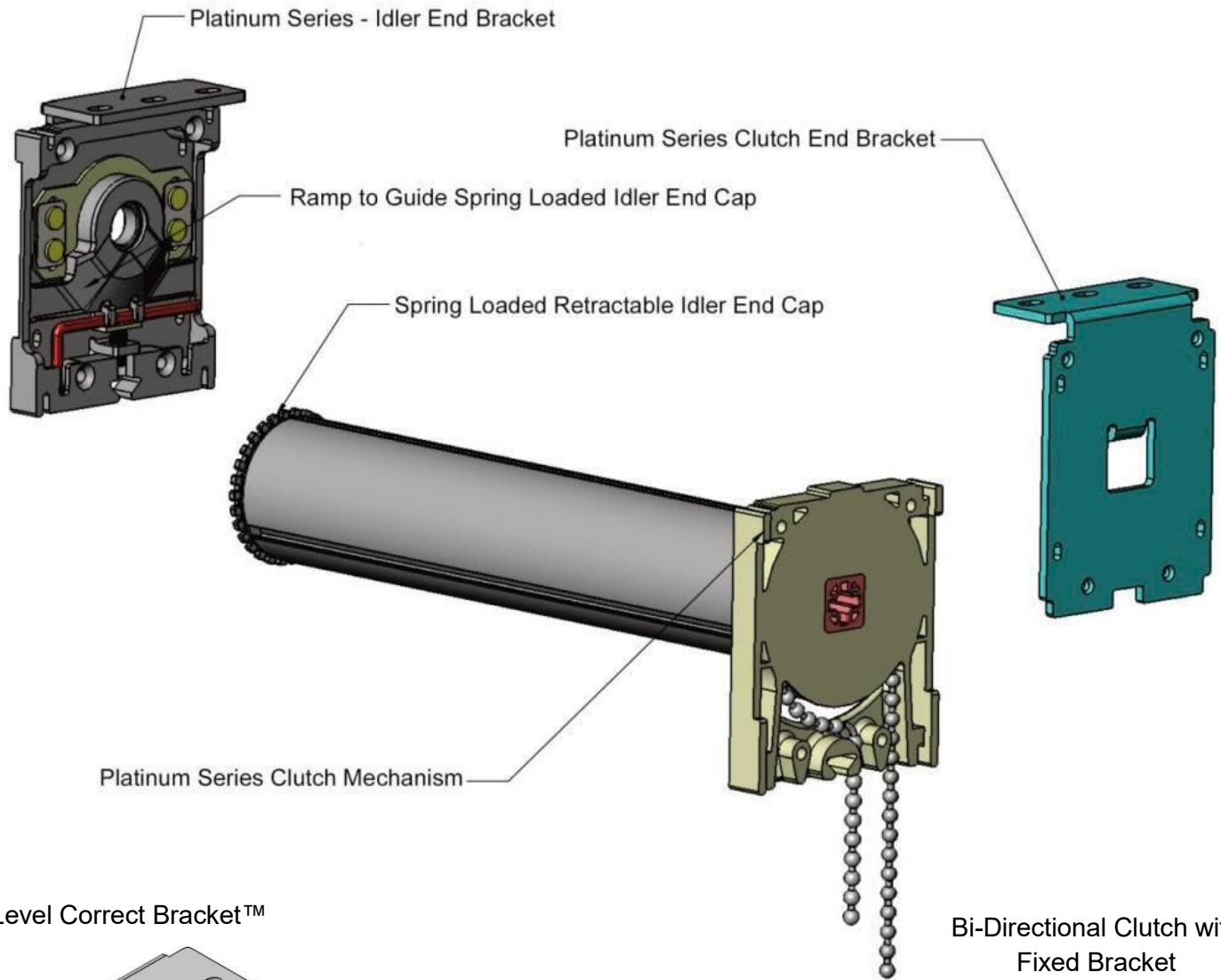
Mariak's technology is environmentally friendly—using water-based inks, and with no run-off or waste. Create custom imagery in a wide array of colors and heat transfer it on to fabrics up to 124" wide. Dye sublimation is compatible with a wide range of polyester blend fabrics, ideal for wide range of textile uses.



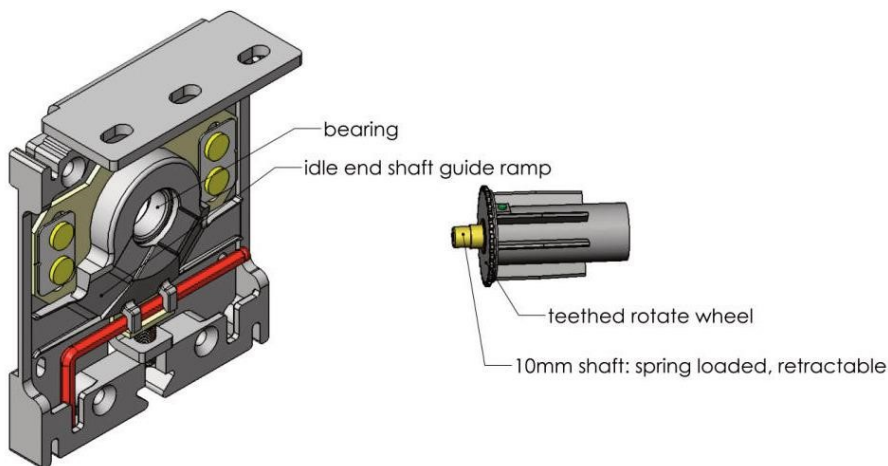
Mariak

PLATINUM CLUTCH™

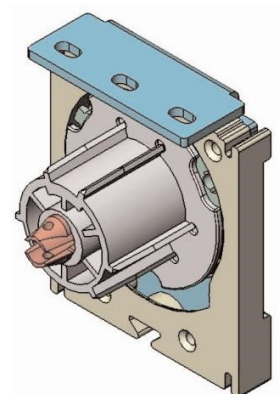
The heavy-duty commercial chain operated clutch mechanism allows precise positioning of the roller shade. The bi-directional clutch never needs adjustment. When the operator stops pulling on the bead chain, the clutch stops automatically, holding the shade in the exact position desired.



Level Correct Bracket™



Bi-Directional Clutch with Fixed Bracket

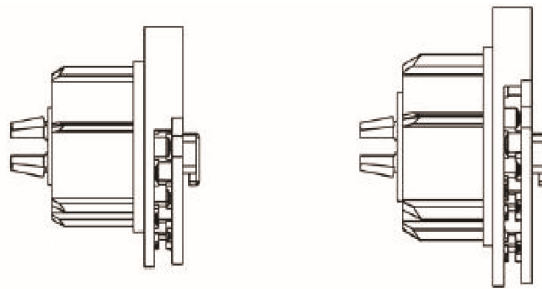


Mariak

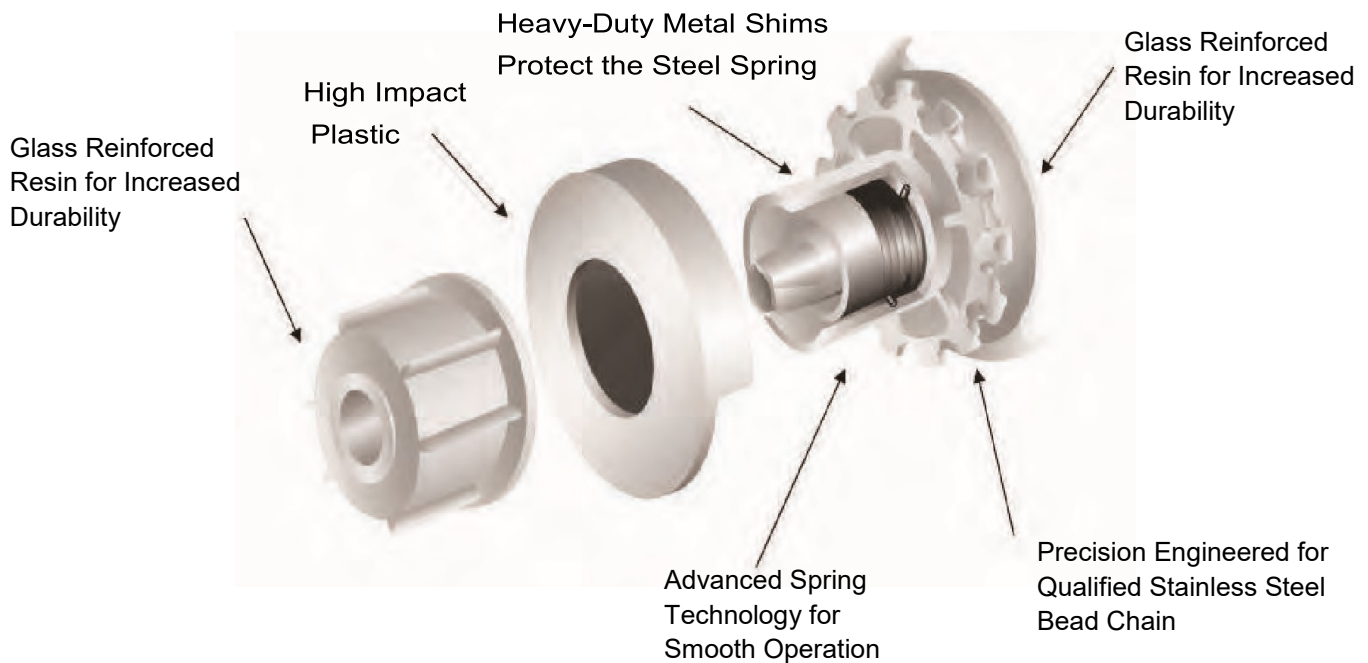
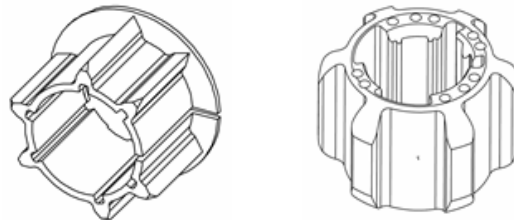
M-SERIES CLUTCH MECHANISM

Mariak's standard clutch is a heavy-duty, self-lubricating mechanism featuring the strongest spring in the industry and a continuous loop control chain.

| | |
|---------------------|---------------------|
| M16 Contract Clutch | M24 Contract Clutch |
| Breaking Strength | Breaking Strength |
| 16 lbs. (7.25 kg) | 24 lbs. (11 kg) |



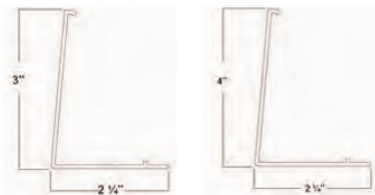
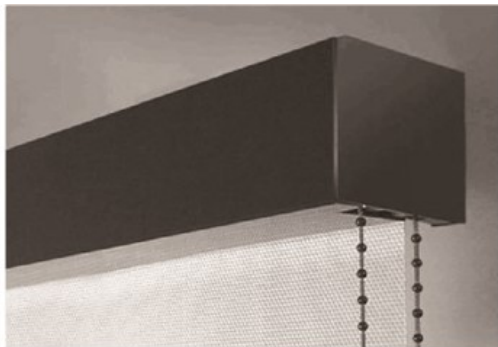
| | |
|---------------------------------------|-----------------------------------|
| M24 Clutch Adaptor for 2 1/2" Tube | Spring Adaptor for 2 1/2" Tube |
|---------------------------------------|-----------------------------------|



Mariak

FASCIA OPTIONS

3" & 4" Square Aluminum Fascia



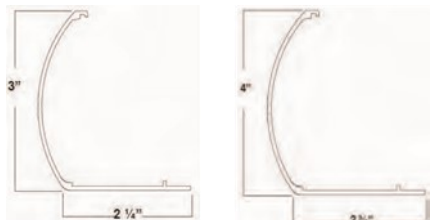
Roll:
Colors:

3" & 4" Round Aluminum Fascia



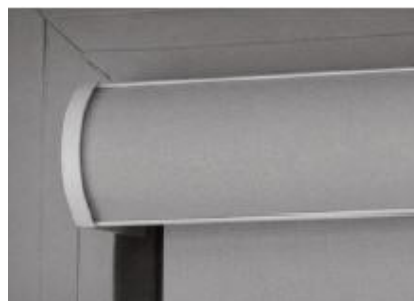
Available for regular roll only
Alabaster
Black
Bronze
Clear Anodized
White

3" & 4" Fabric-Wrapped Fascia



Round Aluminum Valance with matching fabric wrapped around the extrusion.

3 1/2" Residential Cassette



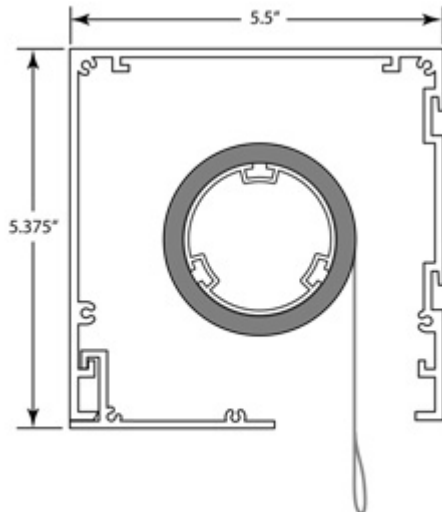
Aluminum extrusion provides space for a up to a 3" fabric roll diameter. Includes snap-in mounting brackets for quick installation. Available with 15 pound clutch or DC motor.

**Also available: 4" & 7 1/2" Dual Square Fascia
(see Mariak.com for details)**

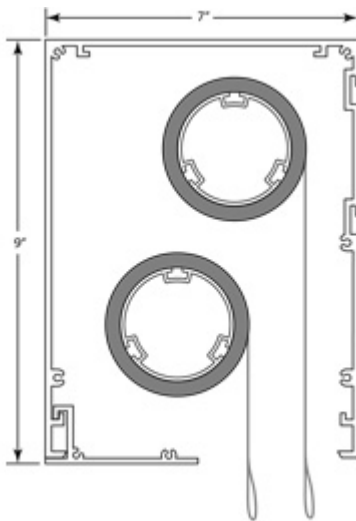
Mariak

HEADBOX OPTIONS

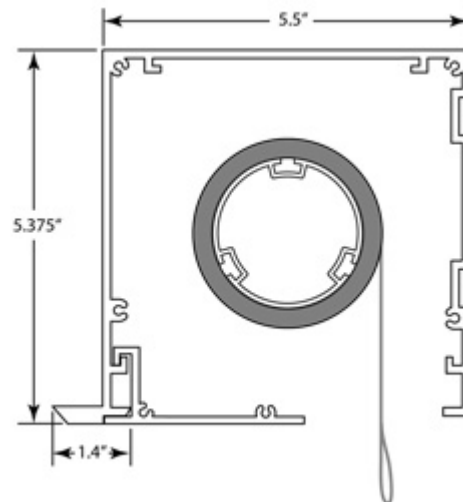
Headbox without Tile Receiver



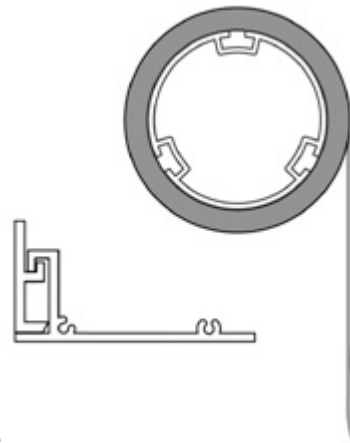
Dual Headbox



Headbox with Tile Receiver



Mount Strip Wall Hanger



5" Closure Plate



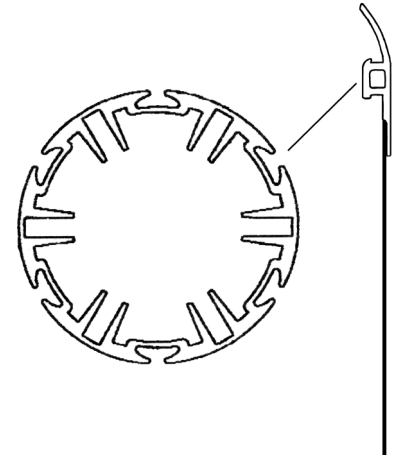
Mariak

SAFE GRIP SPLINE™

This flexible PVC extrusion establishes an effective process for securing the roller shade fabric to the aluminum tube. Its unique shape and composition lock the shade fabric in place, thus preventing it from falling off the tube, a common problem found when double face tape or glue techniques are applied.

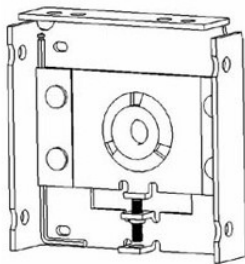
The SAFE GRIP SPLINE™ creates an effective method for keeping the shade fabric straight as it rolls up on the Roller Shade tube. This system substantially reduces the amount of telescoping (the spiral motion that occurs when a roller shade is rolling up) that is caused when the shade brackets are installed improperly.

The SAFE GRIP SPLINE™ was developed to facilitate easy fabric removal and installation. Should the fabric require cleaning or should the customer desire a new shade fabric, the material can be removed with ease, and without having to remove the roller shade tube from its brackets.



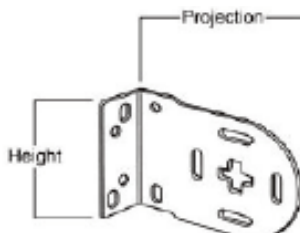
BRACKETS

LEVEL CORRECT BRACKET™



Level the roller shade without removing and re-installing brackets. Use the included Allen wrench to raise or lower the idler pin end of the roller shade with a simple turn of a set screw located at the bottom opening of the fascia bracket. Available with clutch or motorized shades with 3" or 4" fascia valance.

Standard Non-Fascia Brackets



Wall or ceiling mount flexibility

Mariak

ADDITIONAL OPTIONS

Go to Mariak.com or contact 1.800.562.7425 for more details

Motorized Solutions

Mariak offers a full selection of Somfy™ motorization solutions.



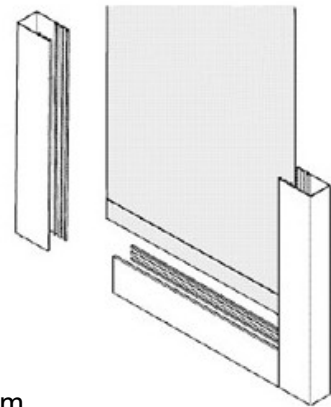
Multiple Band Roller Shades



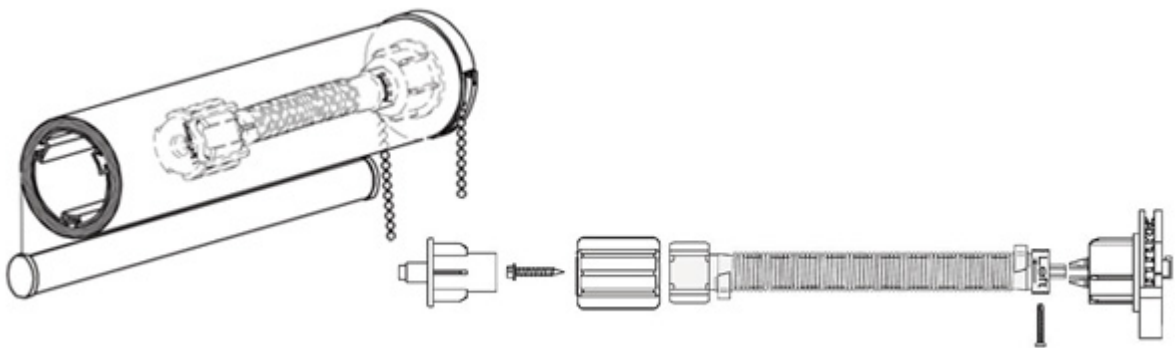
Dual Shade with and Without Fascia



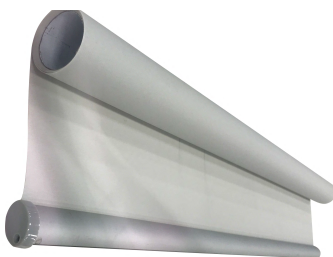
Side & Sill Channels



Clutch Spring Assist Mechanism



External Hembar



Fabric Wrapped Hembar



Mariak

HORIZONTAL BLINDS

Quality craftsmanship, durability and incredible selection distinguish Mariak's Horizontal Blinds. These products are produced with the highest quality metal and polycarbonate components. Horizontal Blinds are built on a roll-formed, heavy-duty steel headrail, which further increases the strength and stability of the product. The operating components are secured inside the headrail by means of snap-in fittings. The cord lock incorporates a stainless steel wear guard and has a crash-resistant safety feature that automatically locks the blind once the lift cords are released. To provide smooth operation and tight slat closure, the cord tilter utilizes a steel gear housing, while the wand tilter incorporates a double worm gear arrangement.

Products Available:

2" & 2 1/2" Custom Faux Wood

- Meets NFPA No. 701 requirements
- Wide assortment of solid colors and woodgrain prints
- Corded and cordless lift options

1" Custom Faux Wood

- Meets NFPA No. 701 requirements
- Wide color assortment of solid and woodgrain prints

2" Custom Hardwood

- Wide color assortment of paints and stains
- Corded and cordless Lift options

2" Custom Curved PVC

- Meets NFPA No. 701 requirements

2" Ready-Made Cordless Faux Wood



Mariak

ALUMINUM HORIZONTAL BLINDS

Mariak Aluminum Blinds feature a heavy-duty line of stamped metal and injection molded plastic components. Providing maximum strength and resistance to corrosion, 6-gauge and 8-gauge slats are manufactured of 5086-H19 aluminum alloy. When formed during production, this alloy increases stability, creating a spring reaction that resists dents or bends in the aluminum slats. All aluminum slats have a signature pre-coating, which acts as an anti-static dust repellent. To ensure product reliability, all aluminum blind headrails and bottomrails are made of phosphate treated steel, finished with a vinyl primer and a top layer of polyester baked coating. Additionally, all internal hardware and components are manufactured of heavy-duty acetal low-friction thermoplastics that are mechanically locked into the headrail channel by means of snap-in fittings.

Products Available:

2" Aluminum

- 8 gauge aluminum
- Same high quality headrail and components as Faux Wood

1" Aluminum

- 1" x 1" and 1 1/2" x 1" headrail options
- Corded and cordless lift options
- Wide selection of colors



VERTICAL BLINDS

Mariak Vertical Blind window treatments provide a practical and attractive solution for controlling light and providing insulation in any room. They reflect solar heat and reduce air conditioning and heating costs by minimizing the transfer of heat and cold passing through windows. Mariak manufactures a comprehensive line of solid, perforated, textured and embossed flame-retardant PVC louvers.

Available:

Wand or cord control options

PVC and fabric Assortment

- Options that meet NFPA No. 701 requirements
- Selection of valance options

